

Alto LED



New LED lighting system designed for inline installation. ALTO LED is an elegant and efficient luminaire for lighting offices, conference rooms, receptions and other working spaces.

Materials: Electrostatically painted aluminum profile (standard color: grey), microprismatic diffuser (MPRM) made of PC or OPAL diffuser made of PC. Parabolical louver PAR

Installation: suspended

Accessories: end caps, suspensions (simple, electric), set for in line installation

Power: 230 V

ELECTRICAL DATA

Light source	LED
Number of light sources	1
Type of equipment	AC
Voltage rating	220 ... 240 V
Through-wiring	Yes
Light source included	Yes

MECHANICAL DATA

Type of installation	Suspended
Housing material	Aluminum
Designed for light-line	Yes

INFORMATION

Colour	Grey
Operating temperature range	-20 ... 40 °C

CERTIFICATES

Degree of protection (IP)	IP20
Degree of protection (IP) / top/	IP20
Class of protection	I
CE	Yes
HACCP+	Yes
EAC	Yes

LIGHT DATA

Light colour	White
Color rendering index	84
Light distribution	Mid beam
Light output degradation	B10
Lumen maintenance	L80
Lifetime	> 72000 h
MacAdam	SDCM 3
Lamp Lumen Maintenance Factor (after 60 000h)	85 %

AVAILABLE VARIANTS

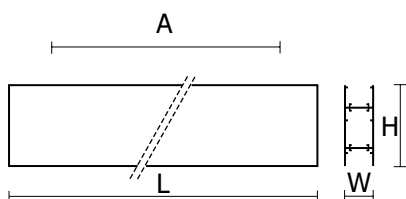
Product code	Luminaire power [W]	Louver/shutter	Luminaire luminous flux [lm]	Luminaire's luminous efficacy [lm/W]	Light distribution	Colour temperature	Info	Weight [kg]
PX4086011 AA001.2211.830.A000	14	OPAL	1320	94	DI	3000K	-	1.30
PX4086018 AA001.2211.840.A000	14	OPAL	1340	96	DI	4000K	-	1.30
PX4086025 AA002.2211.830.A000	25	OPAL	2630	105	DI	3000K	-	2.30
PX4086032 AA002.2211.840.A000	25	OPAL	2690	108	DI	4000K	-	2.30
PX4086039 AA003.2211.830.A000	37	OPAL	3950	107	DI	3000K	-	3.30

AVAILABLE VARIANTS

Product code	Luminaire power [W]	Louver/shutter	Luminaire luminous flux [lm]	Luminaire's luminous efficacy [lm/W]	Light distribution	Colour temperature	Info	Weight [kg]
PX4086046 AA003.2211.840.A000	37	OPAL	4030	109	DI	4000K	-	3.30
PX4086053 AA004.2211.830.A000	48	OPAL	5260	110	DI	3000K	-	4.40
PX4086060 AA004.2211.840.A000	48	OPAL	5370	112	DI	4000K	-	4.40
PX4086067 AA001.2222.830.A000	14	MPRM	1410	101	DI	3000K	-	1.30
PX4086074 AA001.2222.840.A000	14	MPRM	1440	103	DI	4000K	-	1.30
PX4086081 AA002.2222.830.A000	25	MPRM	2820	113	DI	3000K	-	2.30
PX4086088 AA002.2222.840.A000	25	MPRM	2880	115	DI	4000K	-	2.30
PX4086095 AA003.2222.830.A000	37	MPRM	4230	114	DI	3000K	-	3.30
PX4086102 AA003.2222.840.A000	37	MPRM	4310	116	DI	4000K	-	3.30
PX4086109 AA004.2222.830.A000	48	MPRM	5640	118	DI	3000K	-	4.40
PX4086116 AA004.2222.840.A000	48	MPRM	5750	120	DI	4000K	-	4.40
PX4086301 AA001.2244.830.A000	12	miniPAR	1050	88	DI	3000K	-	1.30
PX4086308 AA001.2244.840.A000	12	miniPAR	1080	90	DI	4000K	-	1.30
PX4086315 AA002.2244.830.A000	21	miniPAR	2110	100	DI	3000K	-	2.40
PX4086322 AA002.2244.840.A000	21	miniPAR	2150	102	DI	4000K	-	2.40
PX4086329 AA003.2244.830.A000	30	miniPAR	3160	105	DI	3000K	-	3.40
PX4086336 AA003.2244.840.A000	30	miniPAR	3230	108	DI	4000K	-	3.40
PX4086343 AA004.2244.830.A000	40	miniPAR	4210	105	DI	3000K	-	4.50
PX4086350 AA004.2244.840.A000	40	miniPAR	4300	108	DI	4000K	-	4.50
PX4086123 AA005.2211.830.A000	37	OPAL	3900	105	DI/IN	3000K	DI-2630lm / IN-1270lm	2.40
PX4086130 AA005.2211.840.A000	37	OPAL	3990	108	DI/IN	4000K	DI-2690lm / IN-1300lm	2.40
PX4086137 AA006.2211.830.A000	59	OPAL	6490	110	DI/IN	3000K	DI-3940lm / IN-2550lm	3.40
PX4086144 AA006.2211.840.A000	59	OPAL	6630	112	DI/IN	4000K	DI-4030lm / IN-2600lm	3.40
PX4086151 AA007.2211.830.A000	79	OPAL	9080	115	DI/IN	3000K	DI-5260lm / IN-3820lm	4.50
PX4086158 AA007.2211.840.A000	79	OPAL	9270	117	DI/IN	4000K	DI-5370lm / IN-3900lm	4.50
PX4086165 AA005.2222.830.A000	37	MPRM	4090	111	DI/IN	3000K	DI-2820lm / IN-1270lm	2.40
PX4086172 AA005.2222.840.A000	37	MPRM	4180	113	DI/IN	4000K	DI-2880lm / IN-1300lm	2.40

AVAILABLE VARIANTS

Product code	Luminaire power [W]	Louver/shutter	Luminaire luminous flux [lm]	Luminaire's luminous efficacy [lm/W]	Light distribution	Colour temperature	Info	Weight [kg]
PX4086179 AA006.2222.830.A000	59	MPRM	6780	115	DI/IN	3000K	DI-4230lm / IN-2550lm	3.40
PX4086186 AA006.2222.840.A000	59	MPRM	6910	117	DI/IN	4000K	DI-4310lm / IN-2600lm	3.40
PX4086193 AA007.2222.830.A000	79	MPRM	9460	120	DI/IN	3000K	DI-5640lm / IN-3820lm	4.50
PX4086200 AA007.2222.840.A000	79	MPRM	9650	122	DI/IN	4000K	DI-5750lm / IN-3900lm	4.50
PX4086357 AA005.2244.830.A000	33	miniPAR	3380	102	DI/IN	3000K	DI-2110lm / IN-1270lm	2.40
PX4086364 AA005.2244.840.A000	33	miniPAR	3450	105	DI/IN	4000K	DI-2150lm / IN-1300lm	2.40
PX4086371 AA006.2244.830.A000	53	miniPAR	5710	108	DI/IN	3000K	DI-3160lm / IN-2550lm	3.40
PX4086378 AA006.2244.840.A000	53	miniPAR	5830	110	DI/IN	4000K	DI-3230lm / IN-2600lm	3.40
PX4086385 AA007.2244.830.A000	73	miniPAR	8030	110	DI/IN	3000K	DI-4210lm / IN-3820lm	4.50
PX4086392 AA007.2244.840.A000	73	miniPAR	8200	112	DI/IN	4000K	DI-4300lm / IN-3900lm	4.50



DIMENSIONS

L [mm]	W [mm]	H [mm]	OPAL	MPRM	miniPAR
545	28	100	PX4086011 AA001.2211.830.A000	PX4086067 AA001.2222.830.A000	PX4086301 AA001.2244.830.A000
			PX4086018 AA001.2211.840.A000	PX4086074 AA001.2222.840.A000	PX4086308 AA001.2244.840.A000
1085	28	100	PX4086025 AA002.2211.830.A000	PX4086081 AA002.2222.830.A000	PX4086315 AA002.2244.830.A000
			PX4086032 AA002.2211.840.A000	PX4086088 AA002.2222.840.A000	PX4086322 AA002.2244.840.A000
			PX4086123 AA005.2211.830.A000	PX4086165 AA005.2222.830.A000	PX4086357 AA005.2244.830.A000
			PX4086130 AA005.2211.840.A000	PX4086172 AA005.2222.840.A000	PX4086364 AA005.2244.840.A000
1625	28	100	PX4086039 AA003.2211.830.A000	PX4086095 AA003.2222.830.A000	PX4086329 AA003.2244.830.A000
			PX4086046 AA003.2211.840.A000	PX4086102 AA003.2222.840.A000	PX4086336 AA003.2244.840.A000
			PX4086137 AA006.2211.830.A000	PX4086179 AA006.2222.830.A000	PX4086371 AA006.2244.830.A000
			PX4086144 AA006.2211.840.A000	PX4086186 AA006.2222.840.A000	PX4086378 AA006.2244.840.A000
2170	28	100	PX4086053 AA004.2211.830.A000	PX4086109 AA004.2222.830.A000	PX4086343 AA004.2244.830.A000
			PX4086060 AA004.2211.840.A000	PX4086116 AA004.2222.840.A000	PX4086350 AA004.2244.840.A000
			PX4086151 AA007.2211.830.A000	PX4086193 AA007.2222.830.A000	PX4086385 AA007.2244.830.A000
			PX4086158 AA007.2211.840.A000	PX4086200 AA007.2222.840.A000	PX4086392 AA007.2244.840.A000

L = Length | W = Width | H = Height / Depth

MOUNTING HOLES

B	OPAL	MPRM	miniPAR
325	PX4086011	PX4086067	PX4086301
	AA001.2211.830.A000	AA001.2222.830.A000	AA001.2244.830.A000
	PX4086018	PX4086074	PX4086308
	AA001.2211.840.A000	AA001.2222.840.A000	AA001.2244.840.A000
865	PX4086025	PX4086081	PX4086315
	AA002.2211.830.A000	AA002.2222.830.A000	AA002.2244.830.A000
	PX4086032	PX4086088	PX4086322
	AA002.2211.840.A000	AA002.2222.840.A000	AA002.2244.840.A000
	PX4086123	PX4086165	PX4086357
	AA005.2211.830.A000	AA005.2222.830.A000	AA005.2244.830.A000
	PX4086130	PX4086172	PX4086364
	AA005.2211.840.A000	AA005.2222.840.A000	AA005.2244.840.A000
1405	PX4086039	PX4086095	PX4086329
	AA003.2211.830.A000	AA003.2222.830.A000	AA003.2244.830.A000
	PX4086046	PX4086102	PX4086336
	AA003.2211.840.A000	AA003.2222.840.A000	AA003.2244.840.A000
	PX4086137	PX4086179	PX4086371
	AA006.2211.830.A000	AA006.2222.830.A000	AA006.2244.830.A000
	PX4086144	PX4086186	PX4086378
	AA006.2211.840.A000	AA006.2222.840.A000	AA006.2244.840.A000
1950	PX4086053	PX4086109	PX4086343
	AA004.2211.830.A000	AA004.2222.830.A000	AA004.2244.830.A000
	PX4086060	PX4086116	PX4086350
	AA004.2211.840.A000	AA004.2222.840.A000	AA004.2244.840.A000
	PX4086151	PX4086193	PX4086385
	AA007.2211.830.A000	AA007.2222.830.A000	AA007.2244.830.A000
	PX4086158	PX4086200	PX4086392
	AA007.2211.840.A000	AA007.2222.840.A000	AA007.2244.840.A000


B = Spacing width

ACCESSORIES

Electric element

	Electrical suspension Pieces in set: 1	PX0922077 FS002.22.1500	Grey
		PX0922083 FS002.11.1500	White
		PX0922090 FS002.33.1500	Black
Alto LED through wiring Pieces in set: 1	PX4086394	5x L=545mm	
	PX4086395	5x L=1085mm	
	PX4086396	5x L=1625mm	
	PX4086397	5x L=2170mm	


Structural element

	Alto End cap Pieces in set: 1	PX4086206 FE001.22.0002	Grey
		PX4086210 FE001.33.0002	Black oxidized screws in set Black

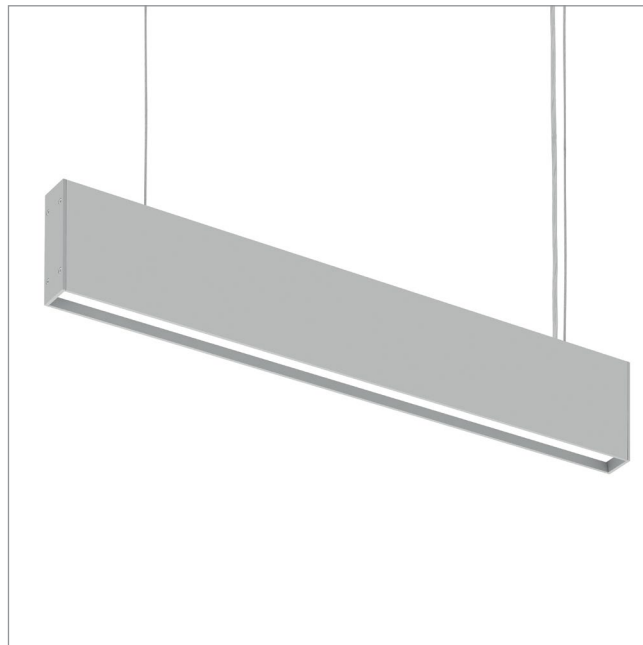
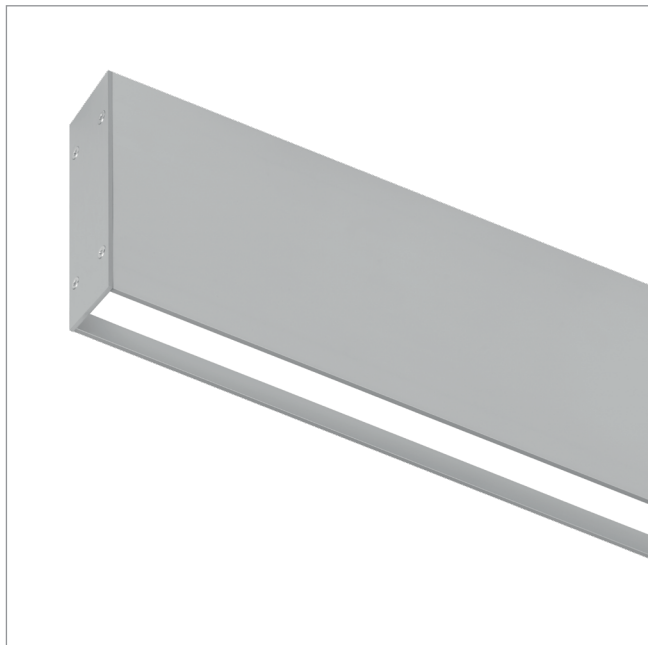
Connecting element

Alto Accessories for in line installation	PX4086214 FJ001.00.0000	Stal
	PX4086221	Tubular wrench 6x7mm

Installation element

	Simple suspension Pieces in set: 1	PX0922149 FS001.00.1500
---	--	----------------------------

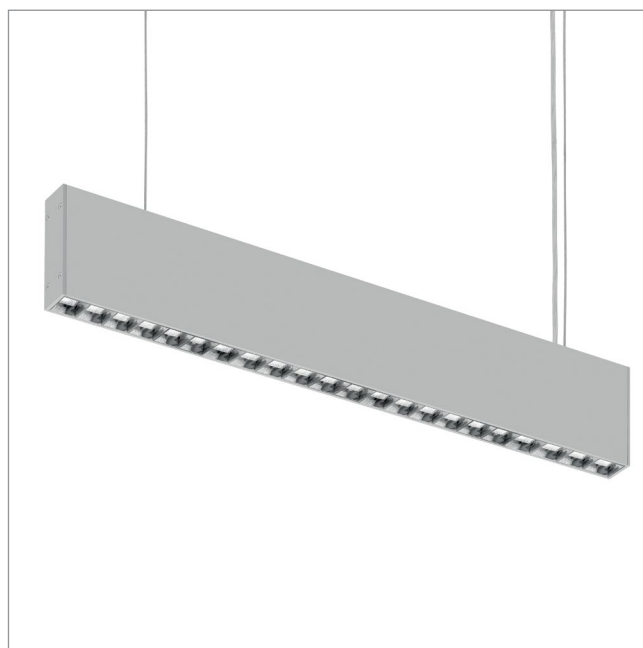
ALTO LED OPAL



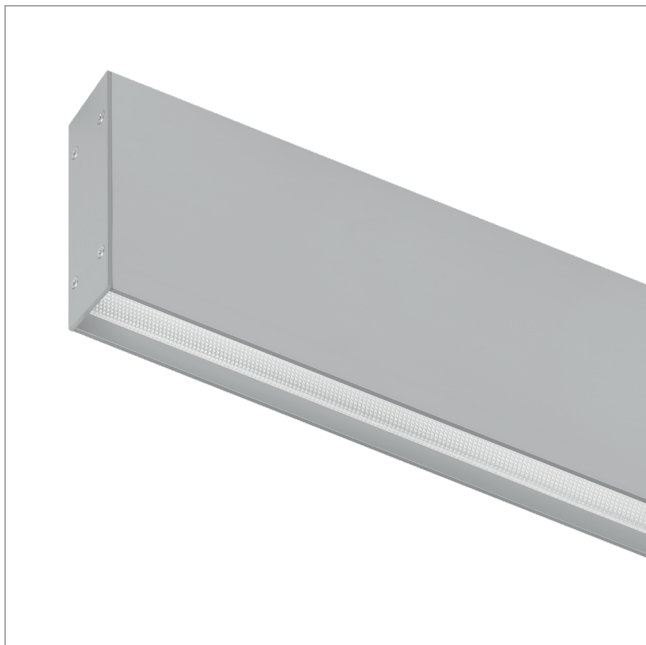
ALTO LED PAR



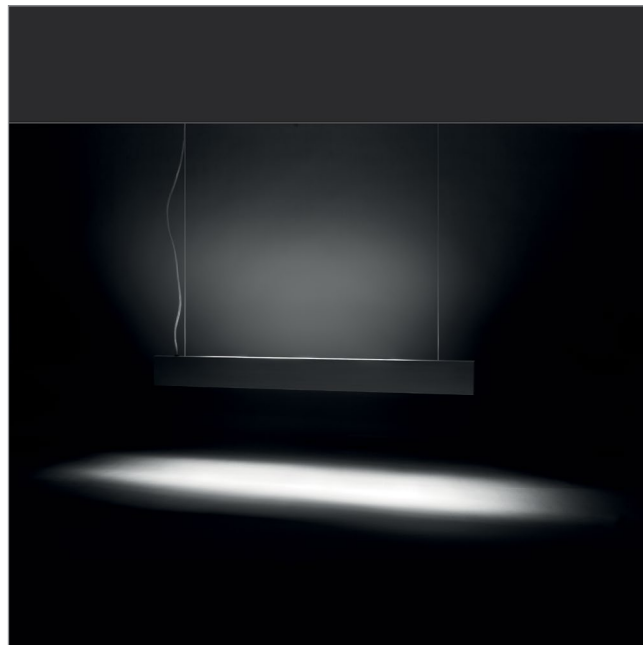
ALTO LED PAR



ALTO LED MPRM



ALTO LED DI-IN



On request: special black version with black louvers

