



Protek Q3

Proyector para gasolineras / Flood light for petrol stations

grado de proteccion IP65 / IK08
 protection degree IP65 / IK08



Protek Q3 LED empotrable óptica de 80°
 Protek Q3 LED recessed optic LED 80°

Incluye polímero protector inifugo, driver y lámparas LEDs
 Includes Includes protective polymer inifugo, driver and LEDs lamps

Ref.	Color / Colour	Lamp.	Lumens	W
4700 01 10 85	Blanco / White	LED	12399	100w
4700 02 10 85	Negro / Black	LED	12399	100w
4700 90 10 85	Titanio / Titanium	LED	12399	100w
4700 01 15 85	Blanco / White	LED	19484	150w
4700 02 15 85	Negro / Black	LED	19484	150w
4700 90 15 85	Titanio / Titanium	LED	19484	150w
4700 01 20 85	Blanco / White	LED	25978	200w
4700 02 20 85	Negro / Black	LED	25978	200w
4700 90 20 85	Titanio / Titanium	LED	25978	200w

* Se suministra de manera estándar con LED 5000°K. / Standardly supplied with 5000°K LED lamp.
 * Se suministra de manera estándar con óptica de 80° Standardly supplied with 80° optics.



Protek Q3 LED superficie óptica de 80°
 Protek Q3 LED surface optic LED 80°

Incluye polímero protector inifugo, driver y lámparas LEDs
 Includes Includes protective polymer inifugo, driver and LEDs lamps

Ref.	Color / Colour	Lamp.	Lumens	W
4701 01 10 85	Blanco / White	LED	12399	100w
4701 02 10 85	Negro / Black	LED	12399	100w
4701 90 10 85	Titanio / Titanium	LED	12399	100w
4701 01 15 85	Blanco / White	LED	19484	150w
4701 02 15 85	Negro / Black	LED	19484	150w
4701 90 15 85	Titanio / Titanium	LED	19484	150w
4701 01 20 85	Blanco / White	LED	25978	200w
4701 02 20 85	Negro / Black	LED	25978	200w
4701 90 20 85	Titanio / Titanium	LED	25978	200w

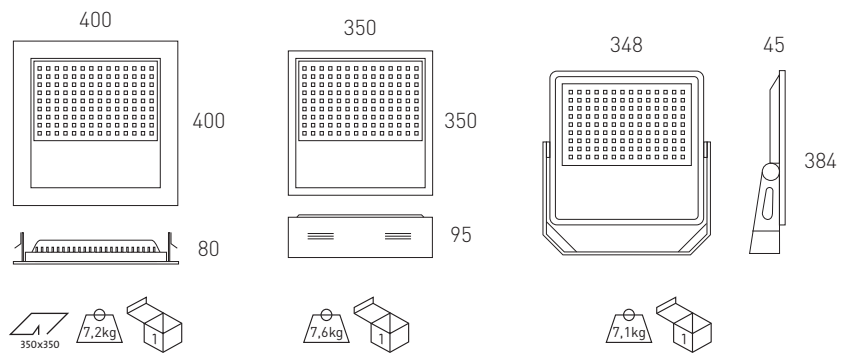
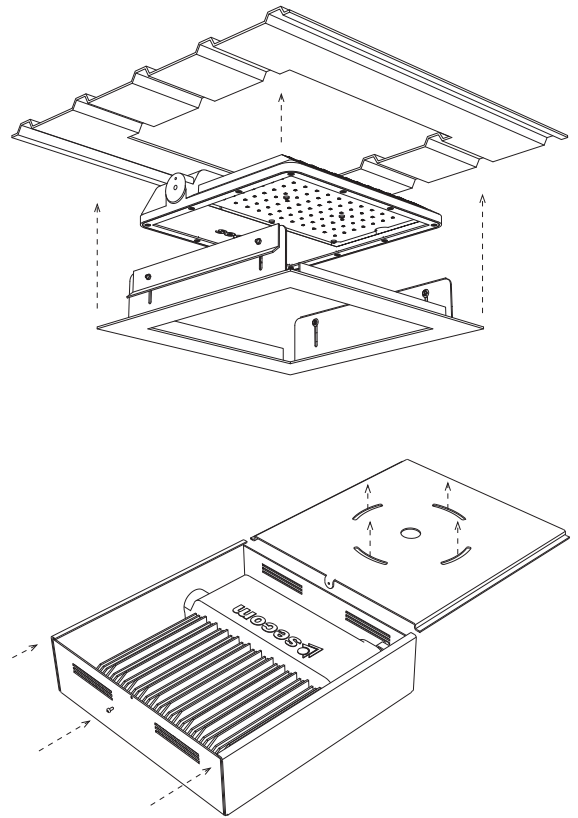
* Se suministra de manera estándar con LED 5000°K. / Standardly supplied with 5000°K LED lamp.
 * Se suministra de manera estándar con óptica de 80° Standardly supplied with 80° optics.

secom
 here comes the light

Polígono Industrial la Estrella. C/ Marte 18-21
 0500 Molina de Segura (Murcia) Spain - Buzón de correos nº11
 Tlf.: 968 80 12 11 - Fax.:968 89 10 48 - secom@secom.es
 Dpto.Exportación. Tlf.: ++34-968-80 18 00. Fax.: ++34-968-89 10 48
 export@secom.es



www.secom.es



Protek Q3 LED orientable óptica de 80°
Protek Q3 LED optic LED 80°



Incluye polímero protector inifugo, driver y lámparas LEDs
Includes Includes protective polymer inifugo, driver and LEDs lamps

Ref.	Color / Colour	Lamp.	Lumens	W
4702 01 10 85	Blanco / White	LED	12399	100w
4702 02 10 85	Negro / Black	LED	12399	100w
4702 90 10 85	Titanio / Titanium	LED	12399	100w
4702 01 15 85	Blanco / White	LED	19484	150w
4702 02 15 85	Negro / Black	LED	19484	150w
4702 90 15 85	Titanio / Titanium	LED	19484	150w
4702 01 20 85	Blanco / White	LED	25978	200w
4702 02 20 85	Negro / Black	LED	25978	200w
4702 90 20 85	Titanio / Titanium	LED	25978	200w

* Se suministra de manera estándar con lámpara 5000° K.
* Standardly supplied with 5000° K lamp.

OPCIONES / OPTIONS LED

	Ref. 83	Ref. 84	Ref. 85
CRI>80 / Temp. de color / Colour temperature	W 3000°K	4000°K	5000°K
Lúmenes / Lumens Osram Oslon SSL L	100w 11340	11340	12399
	150w 17820	17820	19484
	200w 23760	23760	25978

OPCIONES / OPTIONS

Ref. DR	Driver regulable 1 - 10v / Dimmable driver 1 - 10v
Ref. DRD	Driver regulable Dali / Dimmable driver Dali
Ref. DRP	Driver programable / Programmable driver
Ref. 3421	LEDs con óptica simétrica 150° / LEDs with symmetric optics 150°
Ref. DM8	Detector de movimiento integ. en luminaria / Motion detector Integrated in the luminaire
Ref. KE1	Kit. emerg. 1h. autonomía / Emergency kit 1h. of autonomy / only for 100w.
Ref. IK10	Índice de protección antivandálico / Impact protection dregree
Ref. AM	Pintura especial ambiente marino / Special marine environment paint

secom
here comes the light

Polígono Industrial la Estrella. C/ Marte 18-21
0500 Molina de Segura (Murcia) Spain - Buzón de correos nº11
Tlf.: 968 80 12 11 - Fax.:968 89 10 48 - secom@secom.es
Dpto.Exportación. Tlf.: ++34-968-80 18 00. Fax.: ++34-968-89 10 48
export@secom.es



www.secom.es