



CHIODO



9402116

CHIODO Spike H. 600 mm - LED 3000K 93°

Lighting information

Source power type	LED
Colour temperature	3000K
CRI	>80
MCADAMS	3
LM 80/TM-21	L80B10@>60Kh

Source power	11,00 W
Nominal flux	710 lm

Plug-in power	12,00 W
Real flux	595 lm
Maximum intensity	400 cd/klm
Beam angle	93°

Power Supply Unit	220 ÷ 230 V
Operating frequency	50/60 Hz
Power factor	0,85
Dimmable	Not dimmable
Safety class	I
Wiring	External
Cable section	3 x 1,00 mm ²
Cable length	4.400 mm;
Cable type	H05RN-F
Connector	To be ordered separately

Protection Rating	IP65
Breaking Strength	IK 05

Energy efficiency class	A/A+/A++
Diffuser type	Methacrylate frosted
Diffuser thickness	15 mm

Colours

Standard colour

- .01 Black
- .07 Corten

Colours available on request

- .02 White
- .04 Green Forest
- .06 Grey
- .08 Anthracite



Platek®

PLATEK s.r.l.
 Via Paderno, 19 | 25050 Rodengo Saiano (BS) ITALY
 P.IVA 03320290178 | Codice fiscale 03007130176
 Registro delle Imprese di Brescia n. 03007130176 REA 311057
 Capitale sociale Euro 1.000.000,00 i.v. Società con unico socio

Last update:01/03/2022



CHIODO

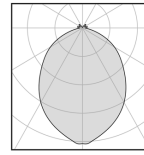
9402116

CHIODO Spike H. 600 mm - LED 3000K 93°

Product features

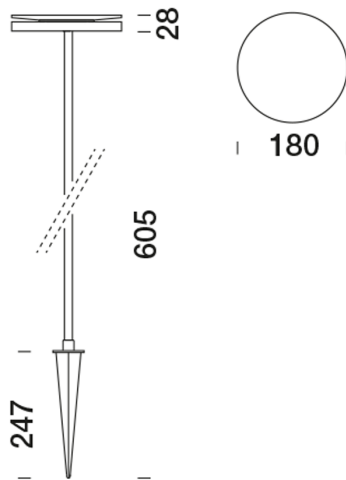
Aluminium rod and head, the product is painted following a continuous two step paint process (epoxy-based primer + polyester-based colour finish), which allows to generate a single thick protective coating which then generates a protective barrier against atmospheric agents and UV rays. Spike or ground fixing base in AISI 316 stainless steel. PMMA opal diffuser screen. No visible screws.

Lighting information



Plug-in power	12,00 W
Real flux	595 lm
Maximum intensity	400 cd/klm
Beam angle	93°

Technical dimensions



Lighting Simulation



H. 600 mm

simulation made with CHIODO Picchetto (mobile) H. 600 mm 12,0 W 3000K

Optics:	93°
Code:	9402116
Distance between products:	6 m

Plug-in power	12,00 W
Real flux	595 lm
Maximum intensity	400 cd/klm
Beam angle	93°

Technical shipping information

Net weight	1,75 kg
Gross weight	3,00 kg
Packaging width	220,00 mm
Packaging height	220,00 mm
Packaging depth	950,00 mm

Platek®

PLATEK s.r.l.
Via Paderno, 19 | 25050 Rodengo Saiano (BS) ITALY
P.IVA 03320290178 | Codice fiscale 03007130176
Registro delle Imprese di Brescia n. 03007130176 REA 311057
Capitale sociale Euro 1.000.000,00 i.v. Società con unico socio

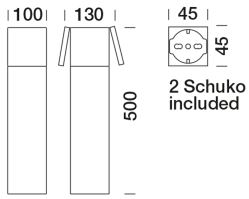


CHIODO

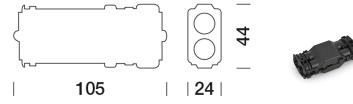
9402116

CHIODO Spike H. 600 mm - LED 3000K 93°

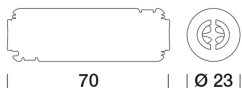
Electrical accessories



8910502
Service post H 500 mm (.08 anthracite)



8917004
IP68 IN/OUT connector for 3x4 mm² cable



8917014
IP68 connector for 3x1,5 mm² cable

Platek®

PLATEK s.r.l.
Via Paderno, 19 | 25050 Rodengo Saiano (BS) ITALY
P.IVA 03320290178 | Codice fiscale 03007130176
Registro delle Imprese di Brescia n. 03007130176 REA 311057
Capitale sociale Euro 1.000.000,00 i.v. Società con unico socio

Last update:01/03/2022



CHiodo

9402116

CHiodo Spike H. 600 mm - LED 3000K 93°

Precise LED selection

All LEDs used by Platek, once assembled by trusted personnel are tested with suitable instruments to check the colour specification required by Platek standards. The choice of using only 3 McAdams colour steps and with a CRI value exceeding 90, provide a high level of light quality that is difficult to find in the world of outdoor lighting. As far as LED products are concerned, Platek has adopted a system of protection against electrostatic discharge along the entire production chain of electronic components to increase the resistance of circuits to power surges.

Platek®

PLATEK s.r.l.
Via Paderno, 19 | 25050 Rodengo Saiano (BS) ITALY
P.IVA 03320290178 | Codice fiscale 03007130176
Registro delle Imprese di Brescia n. 03007130176 REA 311057
Capitale sociale Euro 1.000.000,00 i.v. Società con unico socio

Last update:01/03/2022