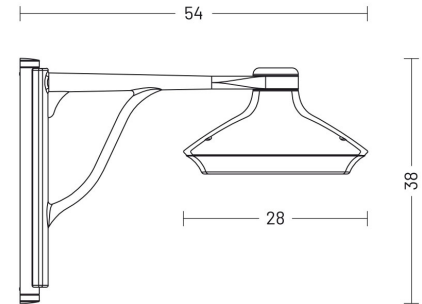


Morphis_4 | 29 W | diffuse | Wall lamps

Also available for ceiling

Technical Specifications

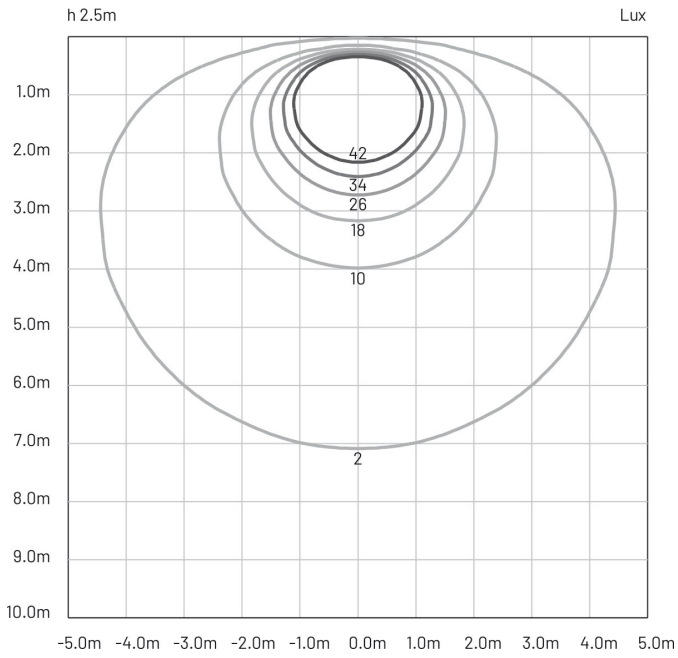
Source lamp	LED 29 W
Total wattage	33
Voltage	220-240 Vac - 50/60 Hz
Control	On/Off • dimmable on request
Luminous flux (*Source flux)	1550 lm (3400 lm*) @ 3000 K
Luminous efficacy	44 lm/W @ 3000 K
McADAM steps	3
Beam	diffuse
CRI	>90
Life time	L 70 > 50.000 h Ta 25°C L 70 > 50.000 h Ta 40°C
IP rating	65
IK rating	8
Insulation class	I



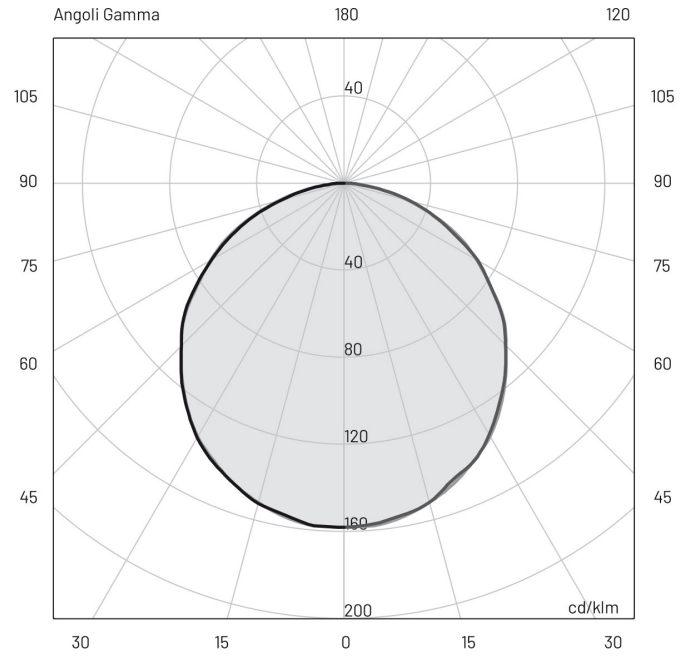
Materials

Body	Die-cast aluminium EN47100
Diffuser	Opal polycarbonate
Finishing	Black - Polyester powder paint

Isolux



Photometry



Available accessories

00596

Corner bracket