

## EMERGENCY EXIT SIGNS

### EXIT M

**MATERIALS:**

White, gray or black polycarbonate body  
Transparent polycarbonate cover  
Plexi glass

**MOUNTING:**

Surface (wall, ceiling\*\*)  
Optionally recessed\*\*\* (wall, ceiling\*\*)  
Optionally pendant\*\*\*\* (ceiling\*\*)

**POWER SUPPLY:**

Self contained – 220÷240VAC/50÷60Hz  
Central battery –220÷240VAC/50÷60Hz; 176 - 275VDC  
Central battery FZLV – 24VDC

**LIGHT SOURCE:**

1W, 2W LED

**CHARGING:**

BASIC: max. 24h  
STANDARD: max. 24h  
PREMIUM: max. 12h; energy-saving electronic charger

**AUTONOMY AND BATTERIES:**

BASIC: 1h or 3h, Ni-Cd 3,6V batteries  
STANDARD: 1h or 3h, Ni-Cd 3,6V batteries  
PREMIUM: 1h or 3h, LiFePO<sub>4</sub> 6,4V batteries

**INSULATION CLASS:**

II or III

**IP RATING:**

IP65

**VIEWING DISTANCE:**

25 m

**AMBIENT TEMPERATURE:**

Self-contained:  
t<sub>a</sub>: 0°C÷40°C  
t<sub>a</sub>: -25°C ÷ 40°C – together with heater for low temperatures  
CB:  
t<sub>a</sub>: 0°C ÷ 50°C

**OPTIONS:**

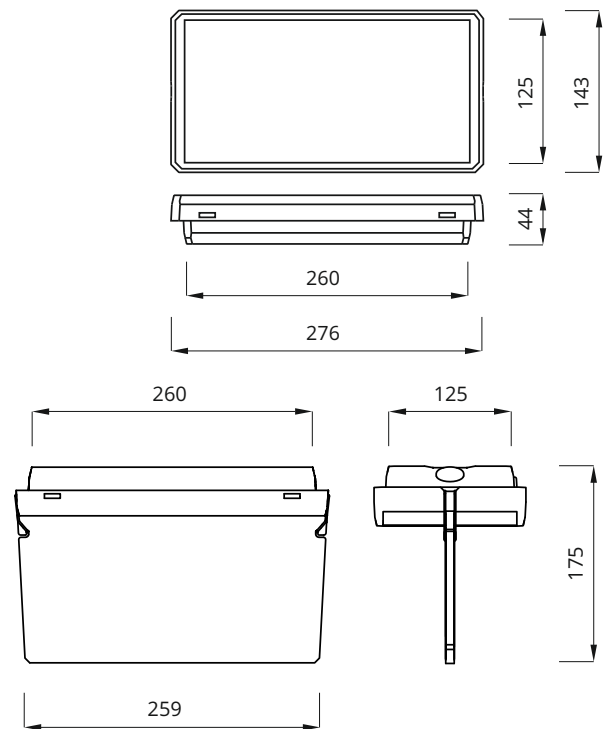
SE – non maintained  
SA – maintained (with an option of connecting as non-maintained)  
PT – manual test button  
AT – autotest  
RU – Rubic UNA central monitoring  
RW – RUBIC UNA Wireless central monitoring  
FZLV – central battery FZLV 24VDC  
CB – central battery

**ADDITIONAL INFORMATION:**

LED indicator signalizes mains power supply and battery charging  
Deep discharge protection  
Optional adaptation of the fixture for low temperatures up to -25°C  
III class of insulation of FZLV version  
\*\*additional plexi for two-sided emergency exit signs  
\*\*\*requires an accessory for recessed mounting, RW option not available  
\*\*\*\*requires an accessory for pendant mounting

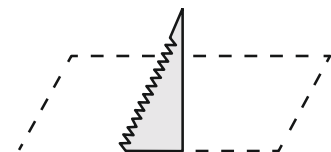


**DIMENSIONS (mm):**



**RECESSING CUT (mm):**

- wall
- ceiling



220-240V AC 50-60Hz	176-275V DC	24V DC	LED	IP65	
					CE
LiFePO <sub>4</sub>	Ni-Cd		d=25m	EN 12	



\*pictogram



KM 618355  
BS-EN 60598-2-22

\*1pc of universal pictogram is included in each single box  
Current list of products with Kitemark and ENEC is available at [www.awex.eu](http://www.awex.eu)

**EMERGENCY EXIT SIGNS**

**SELF-CONTAINED CONFIGURATION:**

CODE	POWER	MODULE	AUTONOMY [h]		MODE	OPTIONS			COLOR		
<b>BASIC</b>											
ETE	1W	E	1	3	SE	PT	X	WH	GR	BL	
<b>STANDARD</b>											
ETE	1W	C	1	3	SA	PT	X	WH	GR	BL	
	2W	C	1	3	SA	PT	X	WH	GR	BL	
<b>PREMIUM</b>											
ETE	1W	B	1	3	SA	AT	RU	RW	WH	GR	BL
	2W	B	1	3	SA	AT	RU	RW	WH	GR	BL

**CENTRAL BATTERY CONFIGURATION - NON-ADDRESSABLE**

CODE	POWER	MODULE	SYSTEM	OPTIONS			COLOR		
ETE	1W	F	CB	CBS	X	WH	GR	BL	
	2W	F	CB	CBS	X	WH	GR	BL	

**CENTRAL BATTERY CONFIGURATION - ADDRESSABLE**

CODE	POWER	MODULE	SYSTEM	OPTIONS			COLOR		
ETE	1W	Z	CB	ADE	ADP	WH	GR	BL	
	2W	Z	CB	ADE	ADP	WH	GR	BL	

**FZLV SYSTEM CONFIGURATION**

CODE	POWER	SYSTEM	COLOR		
ETE	1W	FZLV	WH	GR	BL
	2W	FZLV	WH	GR	BL



**LEGEND:**

- ETE – fitting EXIT M
- E – electronic gear for BASIC self-contained fittings
- C – electronic gear for STANDARD self-contained fittings
- B – electronic gear for PREMIUM self-contained fittings
- F – electronic gear for central battery fittings
- Z – electronic gear for addressable central battery fittings
- SE – non-maintained
- SA – maintained (with an option of connecting as non-maintained)
- PT – manual test button
- X – fitting without additional options
- AT – autotest
- RU – RUBIC UNA central monitoring
- RW – RUBIC UNA Wireless central monitoring
- CB – central battery version
- CBS – central battery for circuit monitoring
- ADE – central battery with ADE address module
- ADP – central battery with ADP address module – SMART technology
- FZLV – central battery FZLV 24 VDC
- WH – white color
- GR – grey color
- BL – black color