

EMERGENCY ESCAPE LIGHTING

MICRO SPOT

MATERIALS:

White polycarbonate body

MOUNTING:

Recessed (ceiling)

POWER SUPPLY:

Self contained – 220÷240VAC/50÷60Hz

Central battery – 220÷240VAC/50÷60Hz; 176 - 275VDC

Central battery FZLV – 24VDC

LIGHT SOURCE:

1W, 2W, 3W LED

Optics:

U - universal

R - escape route

CHARGING:

BASIC: max. 24h

STANDARD: max. 24h

PREMIUM: max. 12h; energy-saving electronic charger

AUTONOMY AND BATTERIES:

BASIC: 1h or 3h, Ni-Cd 3,6V batteries

STANDARD: 1h or 3h, Ni-Cd 3,6V batteries

PREMIUM: 1h or 3h, LiFePO₄ 6,4V batteries

INSULATION CLASS:

II or III

IP RATING:

IP20

AMBIENT TEMPERATURE:

Self-contained:

t_a: 0°C ÷ 40°C

CB:

t_a: 0°C ÷ 50°C

OPTIONS:

SE – non maintained

SA – maintained (with an option of connecting as non-maintained)

PT – manual test button

RU – Rubic UNA central monitoring

FZLV – central battery FZLV 24V

CB – central battery

ADDITIONAL INFORMATION:

LED indicator signalizes mains power supply and battery charging

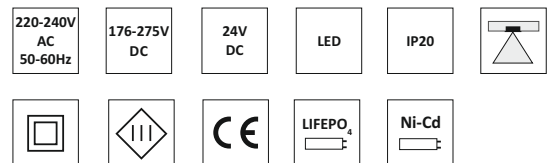
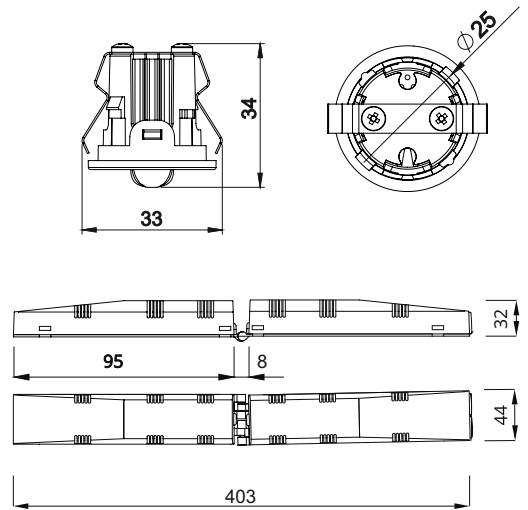
Deep discharge protection

III class of insulation of FZLV version

Electronic gear and battery package installed in a separate box



DIMENSIONS (mm):



EMERGENCY ESCAPE LIGHTING

SELF-CONTAINED CONFIGURATION

CODE		POWER	MODULE	AUTONOMY [h]		MODE	OPTIONS	
BASIC								
MSU	MSR	1W	E	1	3	SE	PT	X
STANDARD								
MSU	MSR	1W	C	1	3	SA	PT	X
		2W	C	1	3	SA	PT	X
		3W	C	1	3	SA	PT	X
PREMIUM								
MSU	MSR	1W	B	1	3	SA	AT	RU
		2W	B	1	3	SA	AT	RU
		3W	B	1	3	SA	AT	RU

CENTRAL BATTERY CONFIGURATION - NON-ADDRESSABLE

CODE		POWER	MODULE	SYSTEM	OPTIONS	
MSU	MSR	1W	F	CB	CBS	X
		2W	F	CB	CBS	X
		3W	F	CB	CBS	X

CENTRAL BATTERY CONFIGURATION - ADDRESSABLE

CODE		POWER	MODULE	SYSTEM	OPTIONS	
MSU	MSR	1W	Z	CB	ADE	ADP
		2W	Z	CB	ADE	ADP
		3W	Z	CB	ADE	ADP

FZLV SYSTEM CONFIGURATION

CODE		POWER	SYSTEM
MSU	MSR	1W	FZLV
		2W	FZLV
		3W	FZLV

OUTPUT IN EMERGENCY MODE

POWER	OUTPUT [lm]	
	MSU	MSR
BASIC		
1W	125	120
STANDARD		
1W	125	120
2W	240	230
3W	340	325
PREMIUM		
1W	140	130
2W	265	250
3W	380	360

OUTPUT IN EMERGENCY MODE

POWER	OUTPUT [lm]	
	MSU	MSR
1W	140	130
2W	265	250
3W	380	360

OUTPUT IN EMERGENCY MODE

POWER	OUTPUT [lm]	
	MSU	MSR
1W	140	130
2W	265	250
3W	380	360

OUTPUT IN EMERGENCY MODE

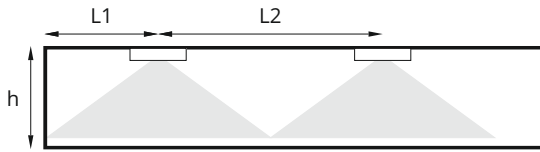
POWER	OUTPUT [lm]	
	MSU	MSR
1W	140	130
2W	265	250
3W	380	360

LEGEND:

- MSU – fixture MICRO SPOT with universal optic
- MSR – fixture MICRO SPOT with optics for escape route
- E – electronic gear for BASIC self-contained fittings
- C – electronic gear for STANDARD self-contained fittings
- B – electronic gear for PREMIUM self-contained fittings
- F – electronic gear for central battery fittings
- Z – electronic gear for addressable central battery fittings
- SE – non-maintained
- SA – maintained (with an option of connecting as non-maintained)
- X – fitting without additional options
- PT – manual test button
- AT – autotest
- RU – RUBIC UNA central monitoring
- CB – central battery version
- CBS – central battery for circuit monitoring
- ADE – central battery with ADE address module
- ADP – central battery with ADP address module – SMART technology
- FZLV – central battery FZLV 24 VDC

INFORMATION FOR READERS

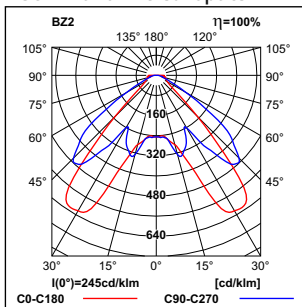
Photometry of MICRO SPOT – MSU, MSR



L1 – distance from the wall to the first fixture
L2 – distance between fixtures
h – height of the ceiling



MSU - with universal optics



MSU 1W (140lm) min. 0,5lx

h [m]	L1	L2
2,50	2,5	6,0
3,00	2,0	7,5
3,50	2,0	7,5
4,00	2,0	8,5
4,50	2,5	9,0
5,00	2,5	10,0
6,00	3,0	11,0
7,00	2,5	11,0
8,00	2,5	10,0

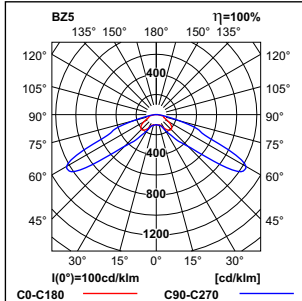
MSU 2W (260lm) min. 0,5lx

h [m]	L1	L2
2,50	2,0	8,5
3,00	2,0	8,5
3,50	2,0	9,0
4,00	2,0	9,5
4,50	2,0	10,5
5,00	2,5	11,0
6,00	3,0	12,5
7,00	3,5	13,5
8,00	4,0	14,5

MSU 3W (380lm) min. 0,5lx

h [m]	L1	L2
2,50	2,0	8,0
3,00	2,0	9,0
3,50	2,5	9,5
4,00	2,5	10,5
4,50	2,5	11,0
5,00	2,5	12,0
6,00	3,0	13,5
7,00	3,5	14,5
8,00	4,0	16,0

MSR - with optics for escape route



MSR 1W (130lm) min. 1lx

h [m]	L1	L2
2,50	5,0	12,0
3,00	5,5	13,0
3,50	6,5	13,5
4,00	7,0	8,0
4,50	7,0	7,0
5,00	7,0	6,5
6,00	1,5	7,5
7,00	2,0	6,0

MSR 2W (250lm) min. 1lx

h [m]	L1	L2
2,50	6,0	14,0
3,00	6,5	15,5
3,50	7,0	17,0
4,00	8,0	18,0
4,50	8,5	19,0
5,00	9,0	17,5
6,00	1,0	11,5
7,00	3,0	9,5

MSR 3W (360lm) min. 1lx

h [m]	L1	L2
2,50	6,5	15,5
3,00	7,0	17,0
3,50	7,5	18,0
4,00	8,5	20,0
4,50	9,0	20,5
5,00	9,5	22,0
6,00	11,0	20,0
7,00	12,0	12,5
8,00	11,5	11,0