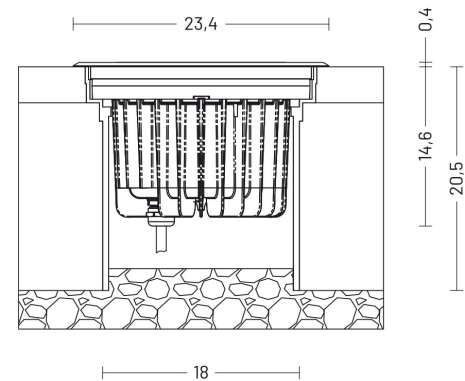


## Mira 220 | 20 W | flood 40° | Floor recessed

Square frame

### Technical Specifications

<b>Source lamp</b>	LED 20 W
<b>Total wattage</b>	20
<b>Voltage</b>	220-240 Vac - 50/60 Hz
<b>Control</b>	IGBT-TRIAC • dimmable on request
<b>Luminous flux (*Source flux)</b>	1203 lm (1925 lm*) @ 3000 K
<b>Luminous efficacy</b>	60 lm/W @ 3000 K
<b>McADAM steps</b>	3
<b>Beam</b>	flood 40°
<b>CRI</b>	>90
<b>Life time</b>	L 70 > 50.000 h Ta 25°C L 70 > 50.000 h Ta 40°C
<b>IP rating</b>	67
<b>IK rating</b>	10
<b>Insulation class</b>	I



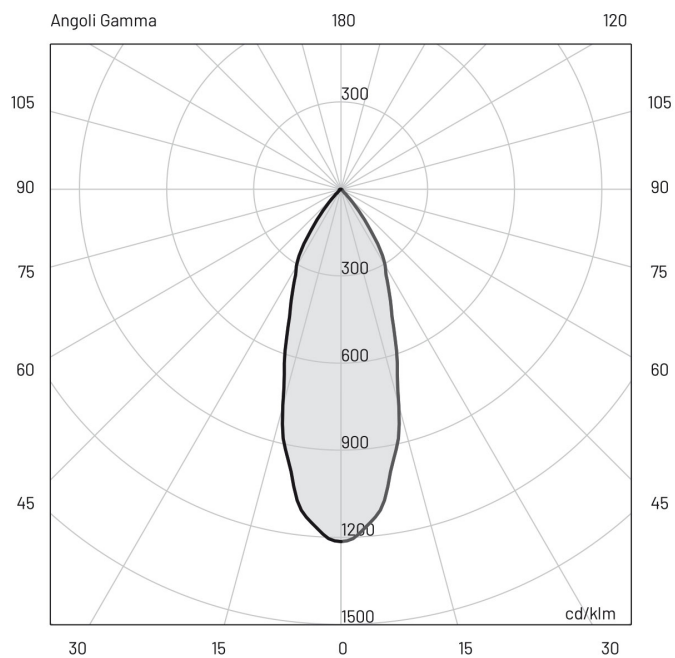
### Materials

<b>Body</b>	Die-cast aluminium EN47100
<b>Diffuser</b>	Extra clear tempered glass 19 mm
<b>Finishing</b>	Inox AISI 316L - Inox AISI 316L

E (lux)

H (m)	lux (3000 K)	lux (4000 K)	Ø (m)
1.00	2184	2261	0.7
2.00	546	565	1.4
3.00	243	251	2
4.00	137	141	2.7
5.00	87	90	3.4

Photometry



### Included accessories

- 2 m length cable H07RN-F
- Housing box

### Available accessories

- 0404M003** Loop-in loop-out IP68
- 0201001V0400** Non-slip glass
- 0201001V0200** Sandblasted glass
- 00KAV04** Set antivandalism screws
- 0404M004** Single connection IP68
- 0303CA3** Tool for antivandalism screws