

EMERGENCY ESCAPE LIGHTING

EXIT L

MATERIALS:

White, grey or black polycarbonate body
Transparent polycarbonate cover

MOUNTING:

Surface (wall, ceiling)
Optionally recessed** (wall, ceiling)
Optionally pendant*** (ceiling)

POWER SUPPLY:

Self contained – 220÷240VAC/50÷60Hz
Central battery –220÷240VAC/50÷60Hz; 176 - 275VDC
Central battery FZLV – 24VDC

LIGHT SOURCE:

1W, 2W, 3W, 6W LED

CHARGING:

BASIC: max. 24h
STANDARD: max. 24h
PREMIUM: max. 12h; energy-saving electronic charger

AUTONOMY AND BATTERIES:

BASIC: 1h or 3h, Ni-Cd 3,6V batteries
STANDARD: 1h or 3h, Ni-Cd 3,6V batteries
PREMIUM: 1h or 3h, LiFePO₄ 6,4V batteries

INSULATION CLASS:

II or III

IP RATING:

IP65

AMBIENT TEMPERATURE:

Self-contained:
t_a: 0°C÷40°C
t_a: -25°C ÷ 40°C – together with heater for low temperatures
CB:
t_a: 0°C ÷ 50°C

OPTIONS:

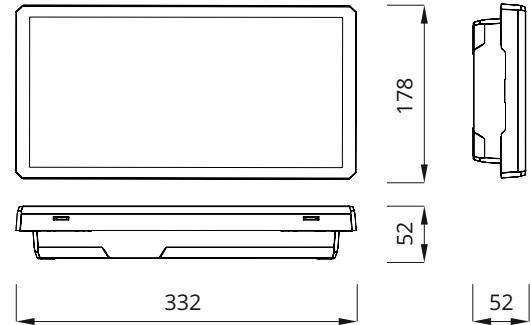
SE – non maintained
SA – maintained (with an option of connecting as non-maintained)
PT – manual test button
AT – autotest
RU – Rubic UNA central monitoring
RW – RUBIC UNA Wireless central monitoring
FZLV – central battery FZLV 24VDC
CB – central battery

ADDITIONAL INFORMATION:

LED indicator signalizes mains power supply and battery charging
Deep discharge protection
Optional adaptation of the fixture for low temperatures up to -25°C
III class of insulation of FZLV version
***requires an accessory for recessed mounting, RW option not available
***requires an accessory for pendant mounting

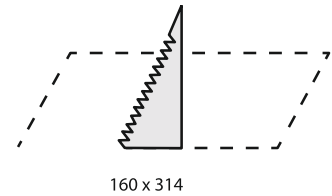


DIMENSIONS (mm):



RECESSING CUT (mm):

- wall
- ceiling



220-240V AC 50-60Hz	176-275V DC	24V DC	LED	IP65	
					CE
LiFePO ₄	Ni-Cd				



KM 618355
BS-EN 60598-2-22

EMERGENCY ESCAPE LIGHTING

SELF-CONTAINED CONFIGURATION

CODE	POWER	MODULE	AUTONOMY [h]		MODE	OPTIONS	COLOR		
BASIC									
ETL	1W	E	1	3	SE	PT X	WH	GR	BL
STANDARD									
ETL	1W	C	1	3	SA	PT X	WH	GR	BL
	2W	C	1	3	SA	PT X	WH	GR	BL
	3W	C	1	3	SA	PT X	WH	GR	BL
PREMIUM									
ETL	1W	B	1	3	SA	AT RU RW	WH	GR	BL
	2W	B	1	3	SA	AT RU RW	WH	GR	BL
	3W	B	1	3	SA	AT RU RW	WH	GR	BL
	6W	B	1	3	SE	AT RU RW	WH	GR	BL

OUTPUT IN EMERGENCY MODE

POWER	OUTPUT [lm]
BASIC	
1W	125
STANDARD	
1W	125
2W	255
3W	380
PREMIUM	
1W	140
2W	280
3W	425
6W	850

CENTRAL BATTERY CONFIGURATION - NON-ADDRESSABLE

CODE	POWER	MODULE	SYSTEM	OPTIONS	COLOR
ETL	1W	F	CB	CBS X	WH GR BL
	2W	F	CB	CBS X	WH GR BL
	3W	F	CB	CBS X	WH GR BL
	6W	F	CB	CBS X	WH GR BL

OUTPUT IN EMERGENCY MODE

POWER	OUTPUT [lm]
1W	140
2W	280
3W	425
6W	850

CENTRAL BATTERY CONFIGURATION - ADDRESSABLE

CODE	POWER	MODULE	SYSTEM	OPTIONS	COLOR
ETL	1W	Z	CB	ADE ADP	WH GR BL
	2W	Z	CB	ADE ADP	WH GR BL
	3W	Z	CB	ADE ADP	WH GR BL
	6W	Z	CB	ADE ADP	WH GR BL

OUTPUT IN EMERGENCY MODE

POWER	OUTPUT [lm]
1W	140
2W	280
3W	425
6W	850

FZLV SYSTEM CONFIGURATION

CODE	POWER	SYSTEM	COLOR
ETL	1W	FZLV	WH GR BL
	2W	FZLV	WH GR BL
	3W	FZLV	WH GR BL

OUTPUT IN EMERGENCY MODE

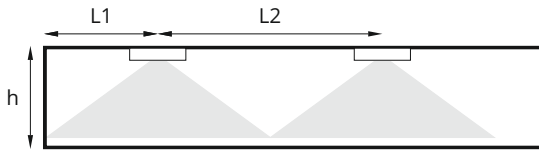
POWER	OUTPUT [lm]
1W	140
2W	280
3W	425

LEGEND:

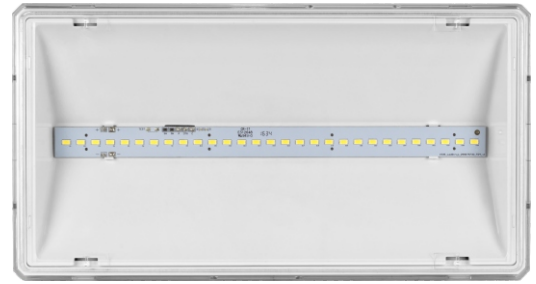
- ETL – fitting EXIT L
- E – electronic gear for BASIC self-contained fittings
- C – electronic gear for STANDARD self-contained fittings
- B – electronic gear for PREMIUM self-contained fittings
- F – electronic gear for central battery fittings
- Z – electronic gear for addressable central battery fittings
- SE – non-maintained
- SA – maintained (with an option of connecting as non-maintained)
- PT – manual test button
- X – fitting without additional options
- AT – autotest
- RU – RUBIC UNA central monitoring system
- RW – RUBIC UNA Wireless central monitoring
- CB – central battery version
- CBS – central battery for circuit monitoring
- ADE – central battery with ADE address module
- ADP – central battery with ADP address module – SMART technology
- FZLV – central battery FZLV 24 VDC
- WH – white color
- GR – grey color
- BL – black color

INFORMATION FOR READERS

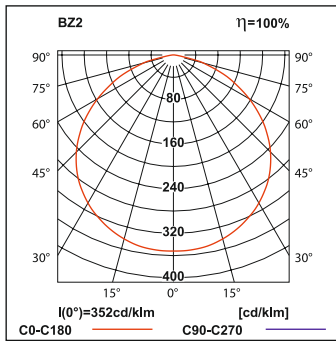
Photometry of EXIT L – ETL



L1 – distance from the wall to the first fixture
L2 – distance between fixtures
h – height of the ceiling



ETL – LED 1W, 2W, 3W, 6W



ETL 1W (140lm) min. 0,5lx

h [m]	L1	L2
2,50	2,5	8,5
3,00	2,5	9,5
3,50	3,0	10,0
4,00	3,0	10,5
4,50	3,0	11,0
5,00	3,0	11,5
6,00	3,5	12,0
7,00	3,0	13,0
8,00	2,5	13,0

ETL 2W (280lm) min. 0,5lx

h [m]	L1	L2
2,50	3,0	10,0
3,00	3,5	11,0
3,50	4,0	12,0
4,00	4,0	13,0
4,50	4,0	13,5
5,00	4,0	14,5
6,00	4,5	15,5
7,00	4,5	16,5
8,00	4,5	17,5
9,00	4,5	18,0
10,00	4,0	19,0

ETL 3W (425lm) min. 0,5lx

h [m]	L1	L2
2,50	4,0	11,0
3,00	4,0	12,0
3,50	4,0	13,0
4,00	4,5	14,0
4,50	4,5	15,0
5,00	5,0	16,0
6,00	5,5	17,5
7,00	5,5	18,5
8,00	5,5	20,0
9,00	5,5	20,5
10,00	5,5	21,5

ETL 6W (850lm) min. 0,5lx

h [m]	L1	L2
4,00	5,5	16,5
4,50	6,0	18,0
5,00	6,0	19,0
6,00	6,5	21,0
7,00	7,0	22,5
8,00	7,5	24,0
9,00	7,5	25,5
10,0	8,0	26,5
11,0	8,0	27,5
12,0	8,0	28,5

ETL 1W (140lm) min. 1lx

h [m]	L1	L2
2,50	3,0	8,0
3,00	3,5	8,5
3,50	3,5	9,0
4,00	3,5	9,5
4,50	3,5	9,5
5,00	3,5	9,5
6,00	3,0	9,0
7,00	2,0	9,0

ETL 2W (280lm) min. 1lx

h [m]	L1	L2
2,50	4,0	10,0
3,00	4,5	10,5
3,50	4,5	11,5
4,00	4,5	12,0
4,50	5,0	12,5
5,00	5,0	13,0
6,00	5,0	13,0
7,00	4,5	14,0
8,00	4,0	14,0
9,00	3,5	13,5
10,00	2,5	13,0

ETL 3W (425lm) min. 1lx

h [m]	L1	L2
2,50	4,5	11,0
3,00	5,0	12,0
3,50	5,5	13,0
4,00	5,5	13,5
4,50	6,0	14,5
5,00	6,0	15,0
6,00	6,0	16,0
7,00	6,0	16,5
8,00	6,0	17,0
9,00	5,5	17,0
10,00	5,0	17,0

ETL 6W (850lm) min. 1lx

h [m]	L1	L2
4,00	7,0	16,5
4,50	7,5	17,5
5,00	7,5	18,5
6,00	8,0	20,0
7,00	8,5	21,5
8,00	8,5	22,5
9,00	8,5	23,0
10,0	8,5	24,0
11,0	8,5	24,0
12,0	8,0	24,5