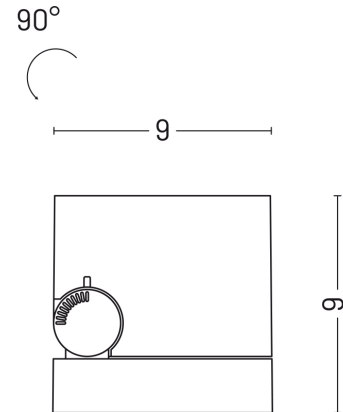


Kuboid 90 | 6 W | flood 45° | Projectors

Technical Specifications

Source lamp	LED 6 W
Total wattage	8
Voltage	220-240 Vac - 50/60 Hz
Control	On/Off
Luminous flux (*Source flux)	576 lm (680 lm*) @ 3000 K
Luminous efficacy	72 lm/W @ 3000 K
McADAM steps	3
Beam	flood 45°
CRI	>90
Life time	L 70 > 50.000 h Ta 25°C L 70 > 50.000 h Ta 40°C
IP rating	67
IK rating	8
Insulation class	I



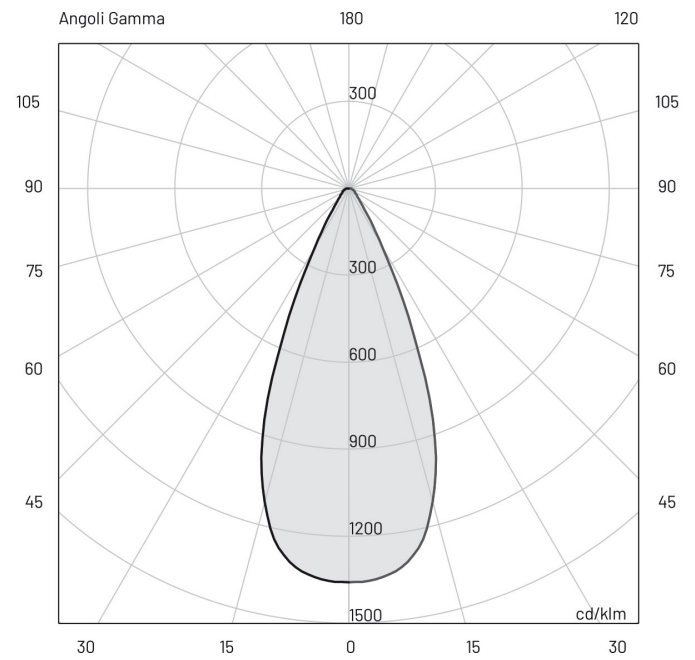
Materials

Body	Die-cast aluminium EN47100
Diffuser	Serigraphed transparent glass
Finishing	Graphite - Polyester powder paint

E (lux)

H (m)	lux (3000 K)	Ø (m)
1.00	923	0.82
2.00	231	1.64
3.00	103	2.46
4.00	58	3.28
5.00	37	4.10

Photometry



Available accessories

0404M015

Single connection IP68

00AKB50

Steel fixing kit - spike